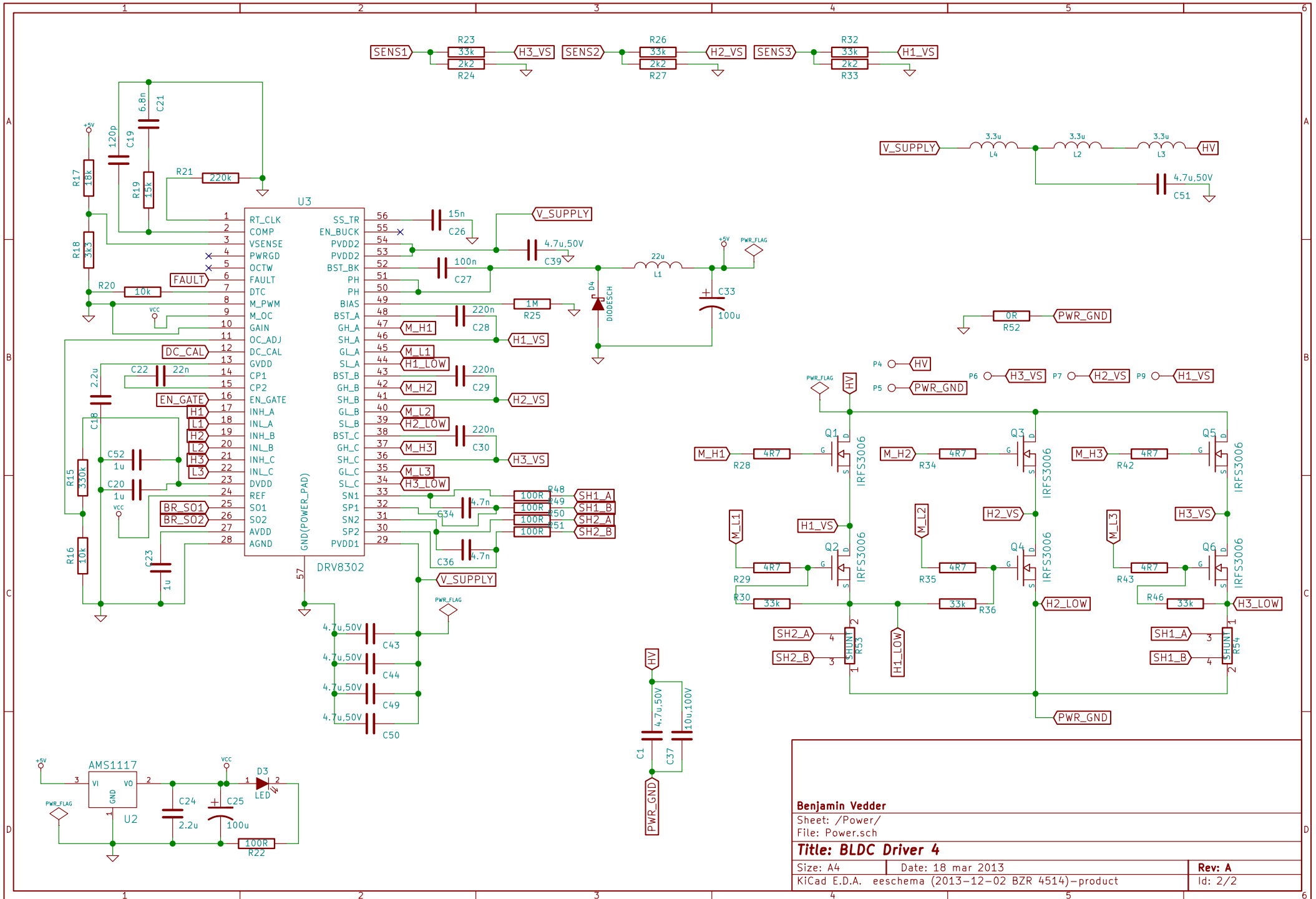


Benjamin Vedder	
Sheet: /	
File: BLDC_4.sch	
Title: BLDC Driver 4	
Size: A4	Date: 18 mar 2013
KiCad E.D.A. eeschema (2013-12-02 BZR 4514)-product	Rev: A
	Id: 1/2



Benjamin Vedder	
Sheet: /Power/	
File: Power.sch	
Title: BLDC Driver 4	
Size: A4	Date: 18 mar 2013
KiCad E.D.A. eeschema (2013-12-02 BZR 4514)-product	Rev: A
	Id: 2/2