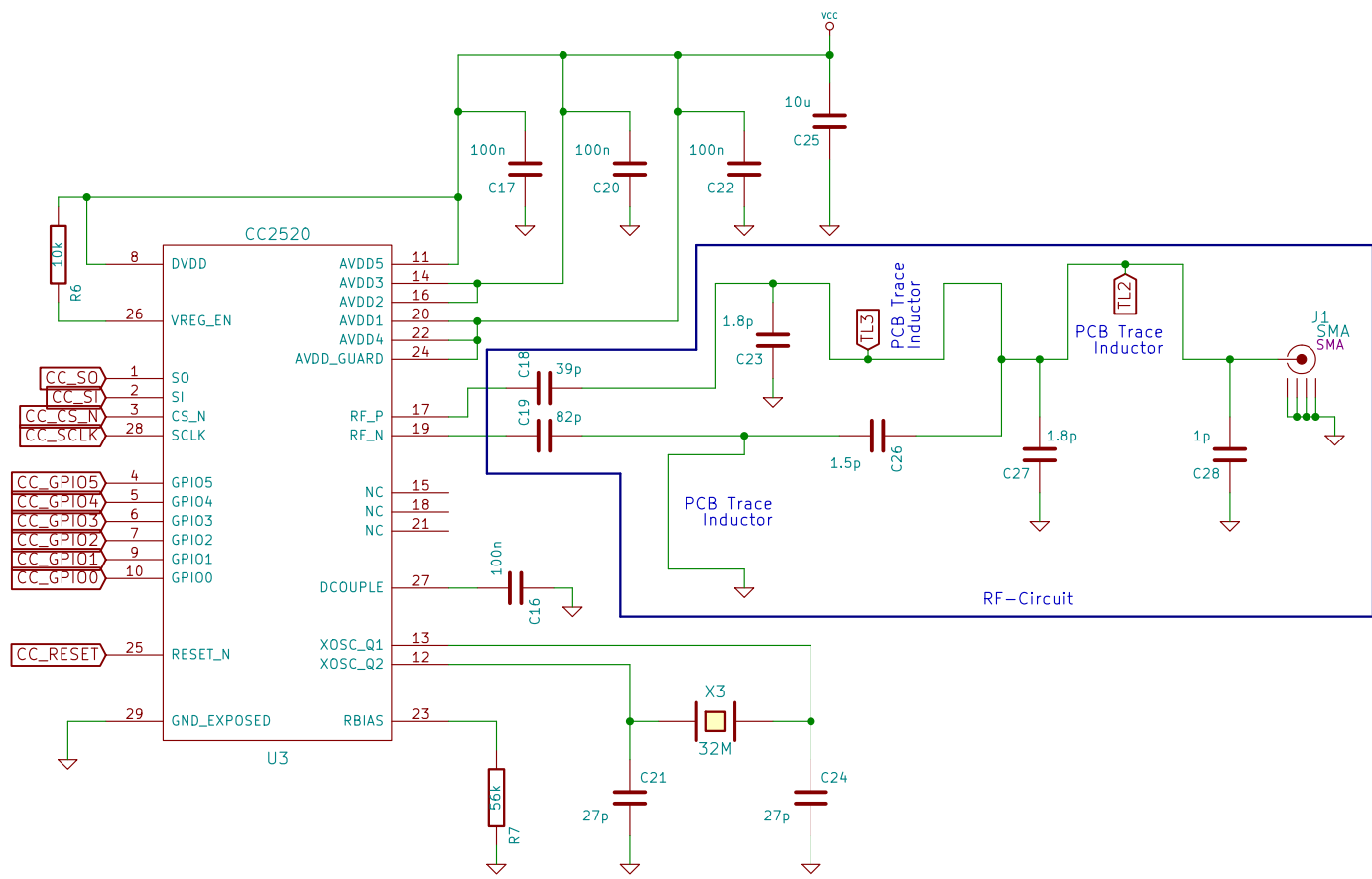


| | | |
|------------------------|------------------|---------|
| Benjamin Vedder | | |
| File: RfMote.sch | | |
| Sheet: / | | |
| Title: RF Mote | | |
| Size: A4 | Date: 9 apr 2013 | Rev: A |
| KiCad E.D.A. | | Id: 1/2 |



| | |
|-----------------|------------------|
| Benjamin Vedder | |
| File: RF.sch | |
| Sheet: /RF/ | |
| Title: RF Mote | |
| Size: A4 | Date: 9 apr 2013 |
| KiCad E.D.A. | Rev: A |
| | Id: 2/2 |